

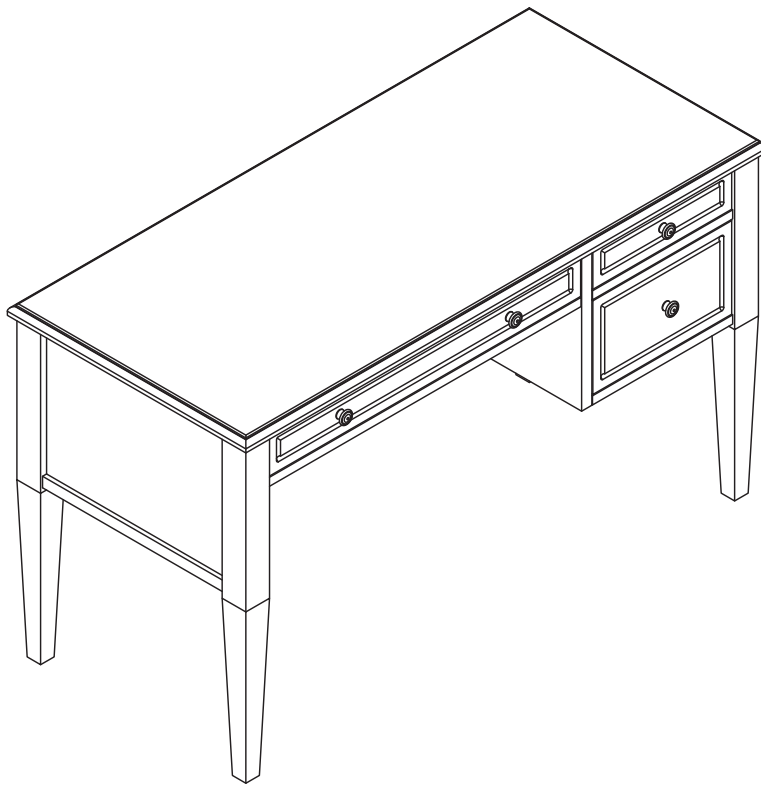
INSPIRED

by **Bassett**[®]

Tradition Reinvented

Item# BP-HGWD-W4

HOUGHTON WRITING DESK ASSEMBLY INSTRUCTIONS

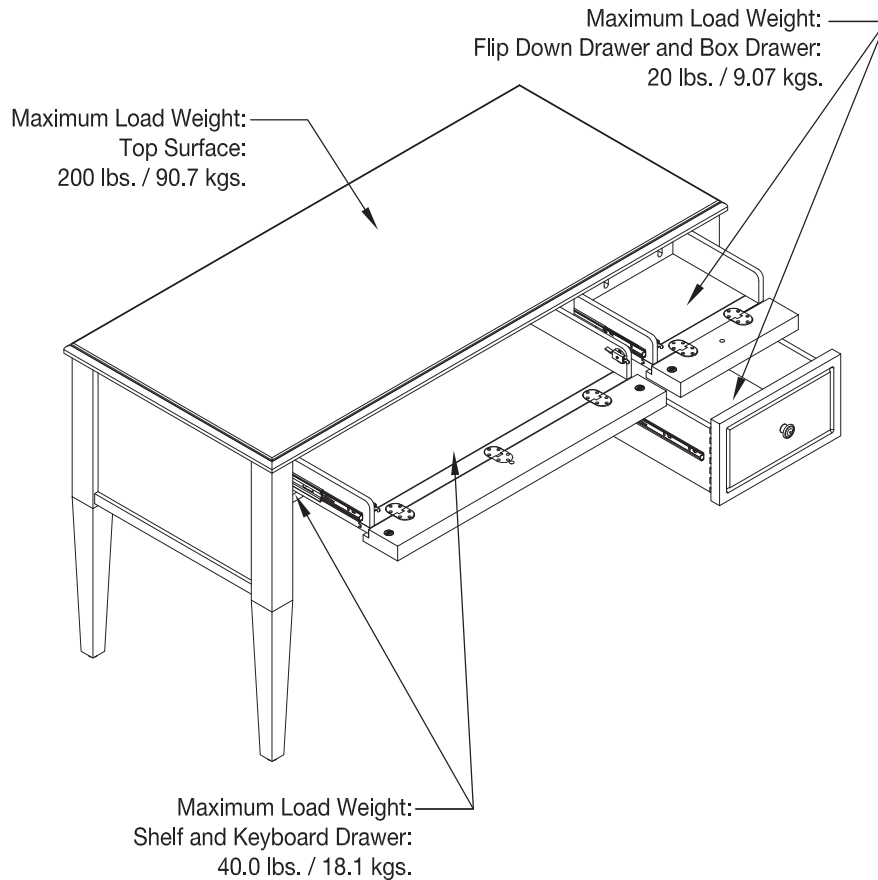


IF PARTS ARE MISSING OR DAMAGED, DO NOT RETURN TO STORE

To order missing or replacement parts, contact us via e-mail parts@officestar.net, by Fax 1-909-930-5629, or toll free parts number 1-800-950-7262, Monday through Friday 8:00 a.m. - 5:00 p.m. Pacific Time.

⚠ WARNING

This unit is intended for use only with the maximum weights indicated. Use with products heavier than maximum weights indicated may result in instability causing damage or injury.



WARNING

1. Do not use this product unless all screws and bolts are securely tightened.
2. Check that all screws and bolts are tight every three months or as needed.
3. Dispose of packing material properly. Do not use plastic cover as head covering. It may cause suffocation.
4. Do not use this product as a stepladder.
5. Use this product for its intended purpose only.
6. **Intended for residential use only.**

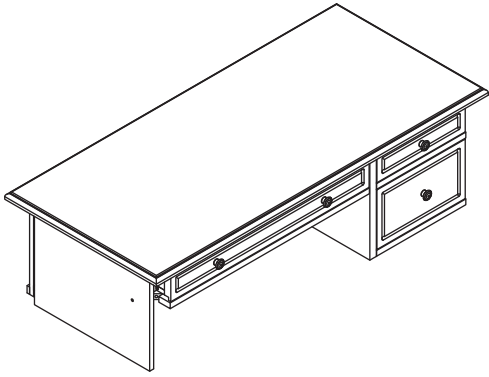
LIMITED WARRANTY

INSPIRED by Bassett® Warrants, to the original purchaser its products to be free from defects in material and workmanship for a period of 5 years. Defects and damage from misuse, abuse, negligence, alteration, accident, vandalism, rusting, acts of nature or any other event beyond the control of INSPIRED by Bassett® is not covered. The warranty does not cover cosmetic damage that may result from normal use. Liability for incidental or consequential damages is excluded. The user assumes all risk of injury resulting from use of this product. This warranty gives you specific legal rights, and you may also have other rights which vary from state to state.

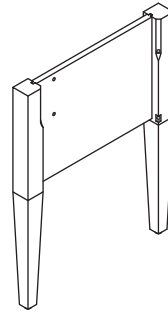
To make a warranty claim, contact Customer Service, provide model number, sales receipt and description of the problem. It is the customer's responsibility to prepay freight on any components returned to the factory. INSPIRED by Bassett® will pay return freight on components covered under terms of warranty.

Contact us via e-mail parts@officestar.net, by Fax 1-909-930-5629, or toll free parts number 1-800-950-7262, Monday through Friday 8:00 a.m. - 5:00 p.m. Pacific Time.

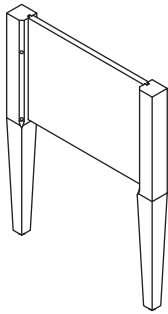
PARTS LIST



(1) Desk Top (1 PC)








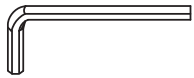


(2) Left Side Frame (1 PC)



(3) Right Side Frame (1 PC)

HARDWARE LIST

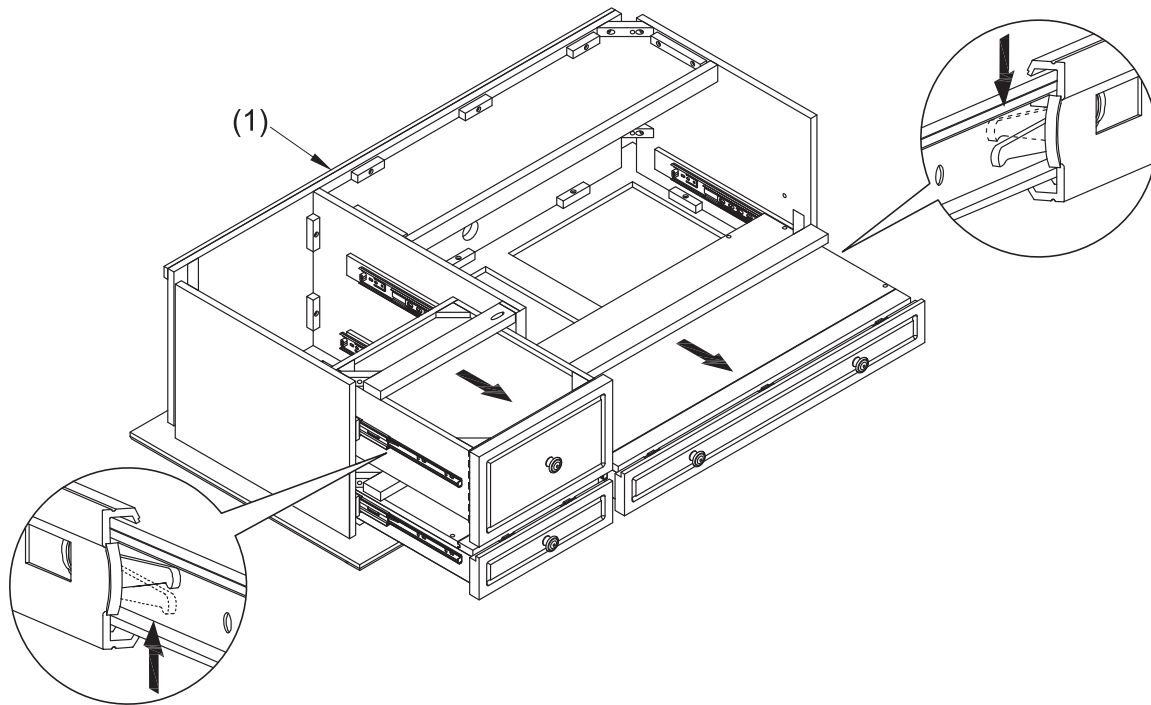
NO	SKETCH	DESCRIPTION	SIZE	Q'TY
A		BOLT	ϕ5/16" X 2"	7 PCS+ 1 EXTRA
B		BOLT	ϕ1/4" X 1-1/4"	2 PCS
C		FLAT WASHER	ϕ5/16" X 19 mm	7 PCS+ 1 EXTRA
D		SPRING WASHER	ϕ5/16"	7 PCS+ 1 EXTRA
E		FLAT WASHER	ϕ1/4" X 16 mm	2 PCS
F		SPRING WASHER	ϕ1/4"	2 PCS
G		WRENCH	5 mm	1 PC
H		WRENCH	4 mm	1 PC

THANK YOU for purchasing this quality product. Be sure to check all packing material carefully for small parts which may have come loose inside the carton during shipment. Identify and count all parts and compare with the parts and hardware lists.

Contact us via e-mail parts@officestar.net, by Fax 1-909-930-5629, or toll free parts number 1-800-950-7262, Monday through Friday 8:00 a.m. - 5:00 p.m. Pacific Time.

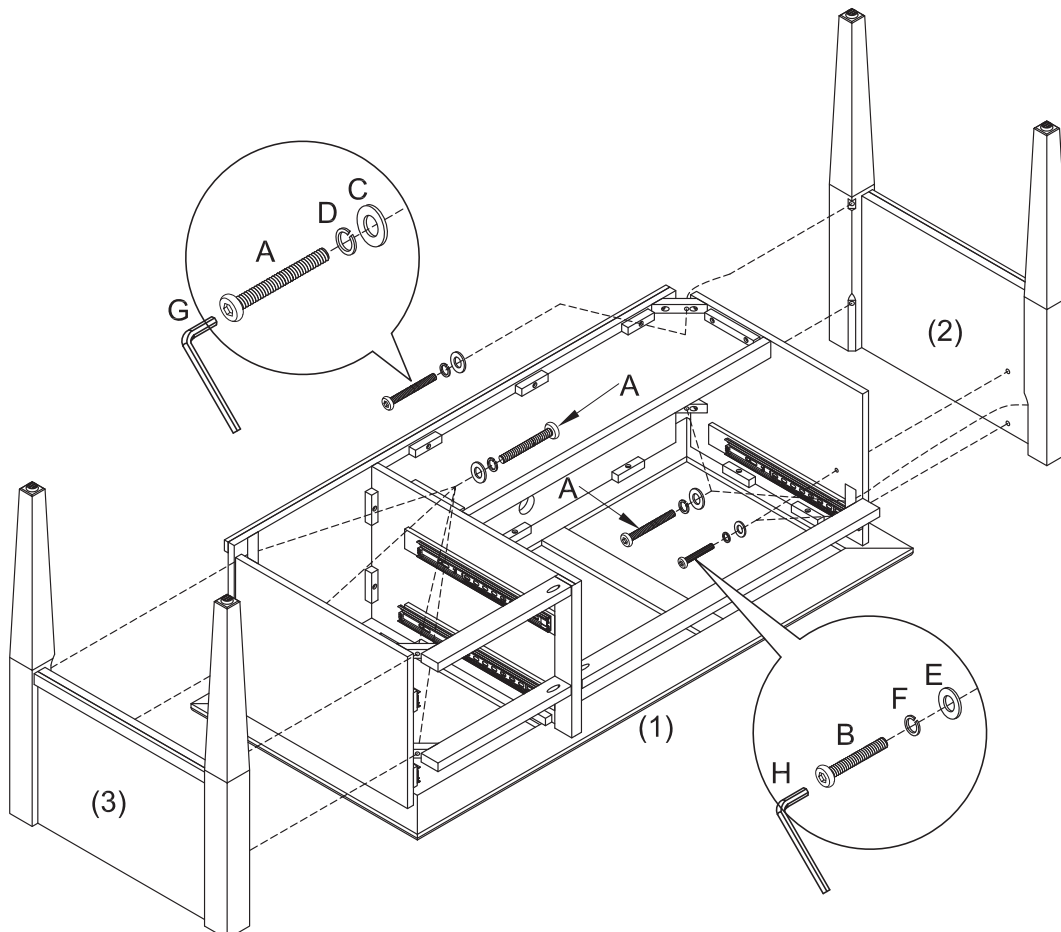
STEP 1:

Carefully pull drawers out of Desk Top (1) by pulling up on drawer slide lever on one side and pressing down on lever on other side.



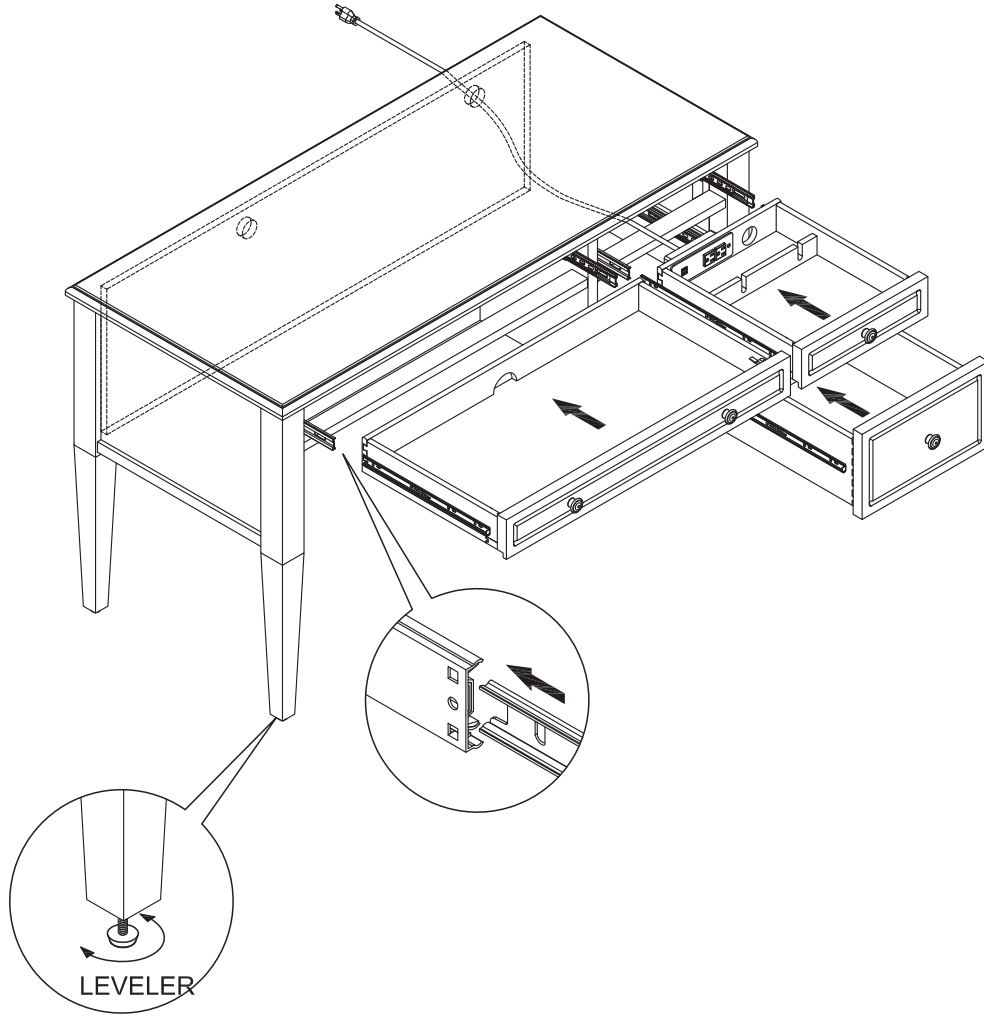
STEP 2:

Secure Right Side Frame (3) to Desk Top (1) using four Flat Washers (C), four Spring Washers (D) and four Bolts (A). **DO NOT FULLY TIGHTEN BOLTS (A).** Secure Left Side Frame (2) to Desk Top (1) using two Flat Washers (E), two Spring Washers (F) and two Bolts (B) for front of Desk Top (1), and three Flat Washers (C), three Spring Washers (D) and three Bolts (A). **FULLY TIGHTEN ALL BOLTS (A & B) USING WRENCHES (G & H).**

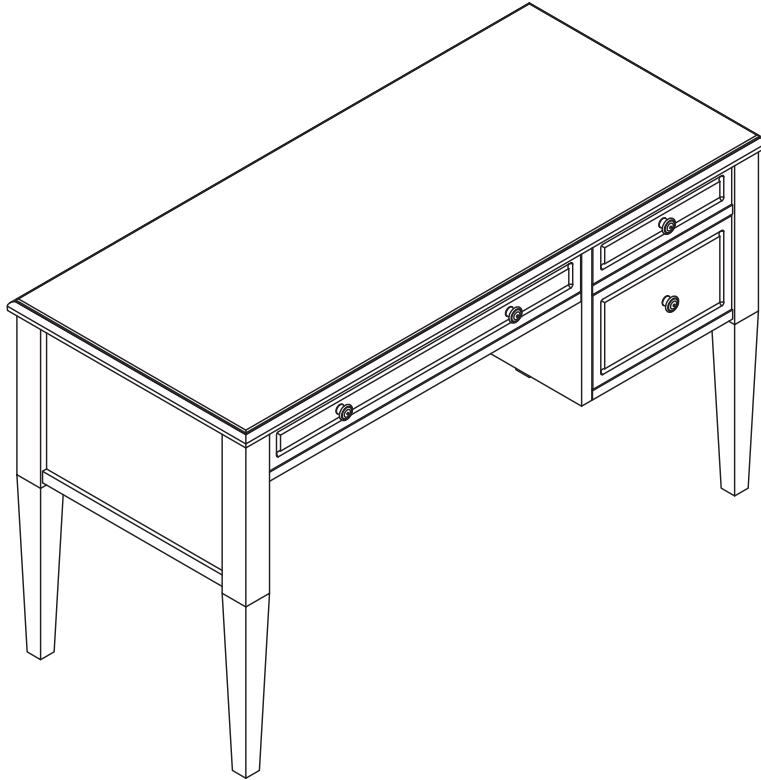


STEP 3:

Carefully turn desk to the upright position and slide drawers into desk. Adjust levelers to level the desk and route the power cord through holes of desk to power source.



IMPORTANT: MAKE SURE ALL BOLTS AND SCREWS ARE SECURELY TIGHTENED BEFORE USING THIS PRODUCT.



FURNITURE CARE:

- Dust with a soft cloth following the grain pattern of the wood.
- Dust often to remove the everyday abrasive particles from the wood surfaces.
- Before dusting, moisten cloth lightly with a spray product.
- Wood finishes also benefit from an occasional polishing.

Contact us via e-mail parts@officestar.net, by Fax 1-909-930-5629, or toll free parts number 1-800-950-7262, Monday through Friday 8:00 a.m. - 5:00 p.m. Pacific Time.

FCC INSTRUCTIONS

NOTE: This equipment has been tested and found to comply with the limits for a Class B digital device, pursuant to Part 15 of the FCC Rules. These limits are designed to provide reasonable protection against harmful interference in a residential installation. This equipment generates, uses and can radiate radio frequency energy and, if not installed and used in accordance with the instructions, may cause harmful interference to radio communications. However, there is no guarantee that interference will not occur in a particular installation. If this equipment does cause harmful interference to radio or television reception, which can be determined by turning the equipment off and on, the user is encouraged to try to correct the interference by one or more of the following measures:

- Reorient or relocate the receiving antenna.
 - Increase the separation between the equipment and receiver.
 - Connect the equipment into an outlet on a circuit different from that to which the receiver is connected.
 - Consult the dealer or an experienced radio/TV technician for help.
- This device complies with Part 15 of the FCC Rules. Operation is subject to the following two conditions: (1) This device may not cause harmful interference, and (2) this device must accept any interference received, including interference that may cause undesired operation.
- Instructions shall caution users that modifications not approved by the party responsible for compliance could void user's authority to operate the equipment.



Office Star Products
Model Number: TY-111